



**FPP**

Industrial Mechanical Engineering

Transforming the Process Industry  
through TECHNOLOGY





## PRESENTATION

FPP Engenharia works in the development of mechanical engineering projects aimed at industrial systems, special processes and customized solutions, meeting the technical, regulatory and safety requirements required by the industry.

### CONTROL

With strong technical mastery and practical vision of the factory floor, the company transforms industrial challenges into efficient, safe projects ready to generate results from implementation.



Technical consultancy in instrumentation and measurement systems, with emphasis on flow, pressure, temperature measurement and process control involving gases and liquids.



## PRESENTATION

### THE MISSION

It is to offer products and services that improve the quality of life.

### VISION

It is to be recognized as a leader in innovation and quality.

### VALUES

Values include innovation, sustainability, respect for people.



"FPP Engenharia: Building today the foundations of your tomorrow."

"Precision engineering, commitment to evolution."



### Engineering Scope

- 3D CAD modeling and technical detailing.
- Elaboration of layouts, assemblies and manufacturing drawings.

### Integration and Automation

- Mechanical, electrical and pneumatic integration.
- Application of sensors, actuators and control systems.
- Development of electrical and pneumatic diagrams.



### Manufacturing and Validation

- Manufacturing and assembly of machines and devices.
- Functional tests and technical adjustments.
- Performance and safety validation.
- Technical documentation and operation support.



## CONTROL AND AUTOMATION

### HMI INTERFACE

More than a technology, to establish an operation and control interface between people and machines.

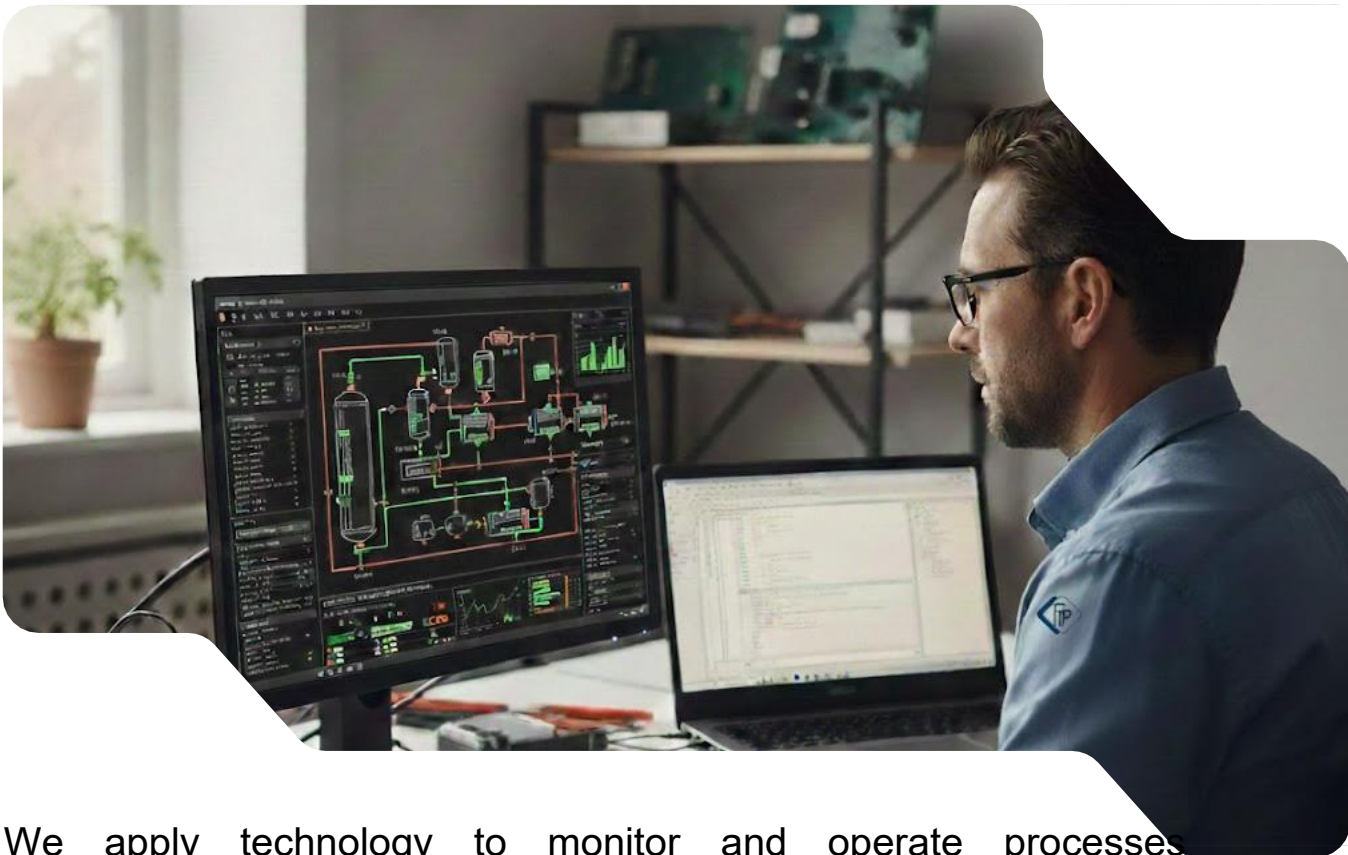
### SUPERVISORY PROCEDURES

Communication networks.

Supervisory for data collection in measuring instruments.

### CONTROL AND PROGRAMMING

Powerful controller configurations with incredible features, with a variety of options.



We apply technology to monitor and operate processes automatically, replacing manual tasks with systems that use controllers.

Special projects in the area of control and instrumentation. Interface control by HMIs.



## EXPERIENCE

### DEFINITION

Customized solutions to meet the specific needs of a company, such as the creation of bespoke machines and equipment or the updating of existing systems.

### OBJECTIVE

Correct deficiencies, improving productivity, increasing occupational safety and quality.



Especialistas em máquinas e equipamentos industriais.

### GOALS

Develop automatic or semi-automatic machines, applying hydraulic, pneumatic and electrical devices.

Automate repetitive or dangerous tasks to increase safety while reducing risk.

Create database for performance evaluation during the period of use of the systems.



## TAILOR-MADE ACCESSORIES

WE DESIGN AND MANUFACTURE EQUIPMENT IN STAINLESS STEEL 304/316

We manufacture stainless steel fittings to serve the food, chemical, beverage and pharmaceutical industries

### COMPOSITE HOSES FOR FLUID TRANSFER

Composite hoses are used in a variety of applications, designed to withstand extreme tempering and pressure in the transfer of fluids with varying types of connections.



### ACCESSORIES

Hydraulic and Pneumatic Systems

Flexible stainless steel hoses with pressed terminals

Connections JIC, NPT, BSP, DIN

Stainless steel type (304, 316, 316L)

Working pressure and temperature

- ◆ Standards (ASME, ASTM, ISO, DIN)

### PROCESS LINES

- ◆ Food & Beverage Pipelines Pharmaceutical & Chemical Processes
- ◆ Clamp, threaded or weldable connections in 304/316 stainless steel



## CUSTOMIZED PROJECTS

WE DESIGN AND MANUFACTURE EQUIPMENT IN  
STAINLESS STEEL 304/316

We manufacture stainless steel reservoirs to serve the food,  
chemical, beverage and pharmaceutical industries.

"Stainless steel tanks are  
used in various stages and  
types of treatment"

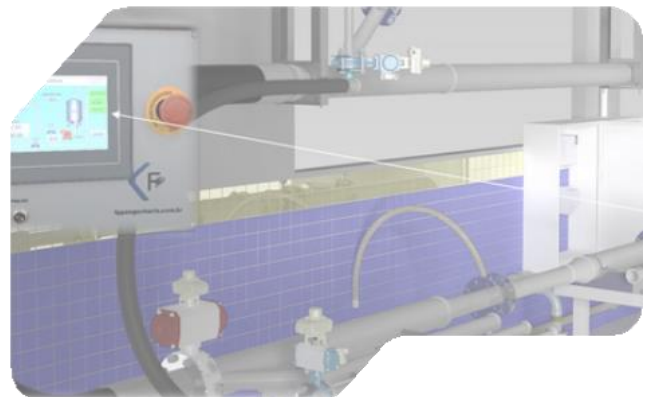
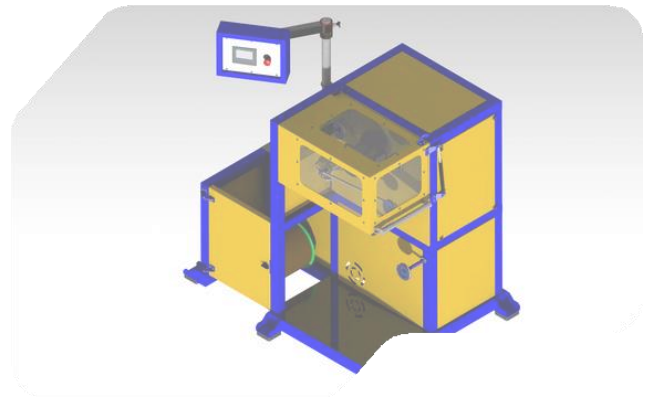
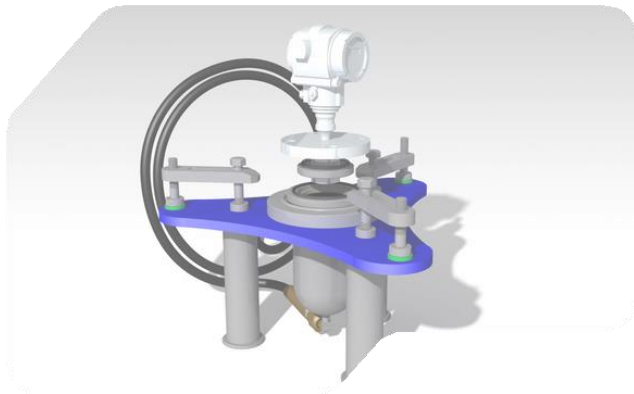


### IMPORTANT:

Every tank project must be accompanied by a Structural Calculation Memorial and Technical Responsibility Note (ART) signed by a responsible engineer.



## SOME PROJECTS CARRIED OUT





## PARTNERS

**My Customers, Thank you for being our greatest inspiration.**

**"The partnership we have built together is our foundation. Receive our most sincere gratitude for your preference and loyalty."**

